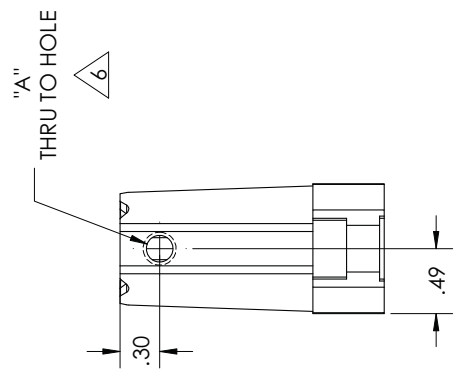
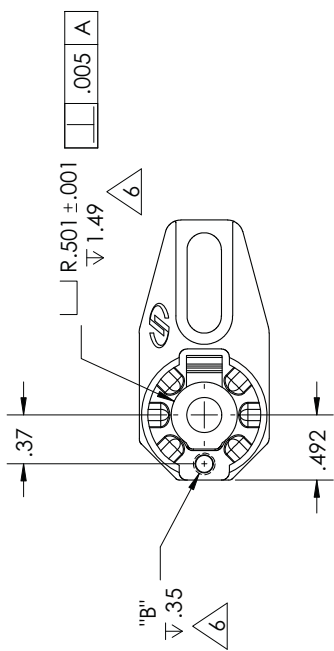


THIS DOCUMENT IS THE PROPERTY OF [REDACTED] AND IS CONSIDERED COMPANY CONFIDENTIAL. THE REPRODUCTION OR USE OF INFORMATION HEREIN ALL OR IN PART IS EXPRESSLY PROHIBITED WITHOUT WRITTEN CONFIRMATION FROM A PRINCIPAL MEMBER OF MANAGEMENT AT [REDACTED] CORP.

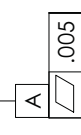
- 1 MATERIAL:
90052033-01: AL A380
90052033/90052035: MAKE FROM 90052033-01
- 2 FINISH:
90052033-01: NONE
90052033/90052035: BLACK POWDER COAT WITH [REDACTED] P/N 16644-04
MINI-TEX BLACK, CLASS RP, PER [REDACTED] STD 99001.

- 3. 0.5° DRAFT PERMISSIBLE UNLESS INDICATED OTHERWISE.
- 4. R.005 ON ALL SHARP EDGES UNLESS INDICATED OTHERWISE.
- 5 IMPRINT [REDACTED] LOGO .02" DEEP.
- 6 PLUG HOLES BEFORE PLATING.

REV.	DESCRIPTION	DATE	APPROVED
1	INITIAL RELEASE	3/12/2012	KN
2	ADDED SLOTS	6/25/2012	KN
4	UPDATED DRAWING	7/26/2012	KN



PART NUMBER	DESCRIPTION	DIM A	DIM B
90052033	POST HOLDER, CAST, 2IN	.250-20 UNC-2B	.164-32 UNC-2B
90052035	POST HOLDER, CAST, 2IN, M	M6 X 1.0	M4 X 0.7



COINING, APPREIABLE AS SUPERFICIAL AS FUNCTION TO [REDACTED] CORP. UNIFORMITY OF FINISH AND CONSISTENCY OF MACHINE TOOL MARKINGS ARE CRITICAL FOR ACCEPTANCE OR REJECTION OF PARTS OF EQUAL IMPORTANCE TO PHYSICAL DIMENSIONS.

INTERPRET DRAWING PER ANSI/ASME Y14.5M-1994.
ALL MACHINED SURFACES ARE TO BE FREE FROM MILL SCALE, SCRATCHES, DENTS, STEPS, OR PLAYS EXCEEDING .03 MICRONS IN DEPTH. PROCESSES SUCH AS VAPOR HONING, TUMBLE FINISHING, AND POLISHING ARE NOT TO BE USED WITHOUT EXPRESS AUTHORIZATION FROM [REDACTED] ON THE DRAWING ARE NOT TO BE USED WITHOUT EXPRESS AUTHORIZATION FROM [REDACTED] ON THE ENGINEERING DEPT.



PROJECT NUMBER		DATE	
[REDACTED]		3/9/12	
DRAWN	K.INGUYEN	DATE	3/9/12
CHECKED	K.INGUYEN	DATE	03/09/12
REVIEWED	K.INGUYEN	DATE	03/09/12
APPROVED	K.INGUYEN	DATE	3/9/12

UNLESS OTHERWISE SPECIFIED		DIMENSION TOLERANCES ARE:	
DECIMAL	INCHES	DECIMAL	INCHES
XX	± 0.1	XX	± 0.1
XXX	± 0.05	XXX	± 0.05
XXXX	± 0.005	XXXX	± 0.005
ANGLES		ANGLES	
F.01		F.01	
F.001		F.001	
F.0005		F.0005	
FINISH		FINISH	
TBD	VIS	TBD	VIS
NEST/ASY	USED/ON	NEST/ASY	USED/ON
MODEL NO.		MODEL NO.	
APPLICATION		APPLICATION	
DO NOT SCALE DRAWING		DO NOT SCALE DRAWING	

USE FINISHING PROCESS FOR COMPLETE REPLICATION DATA		TEMPLATES	
		DRAWN	K.INGUYEN
		CHECKED	K.INGUYEN
		REVIEWED	K.INGUYEN
		APPROVED	K.INGUYEN
		DATE	3/9/12
		SCALE	2:1
		MODEL FILE NAME	90052033 POST HOLDER, C.AST, 2IN
		DWG NO.	90052033
		REV	4

POST HOLDER, CAST, 2IN

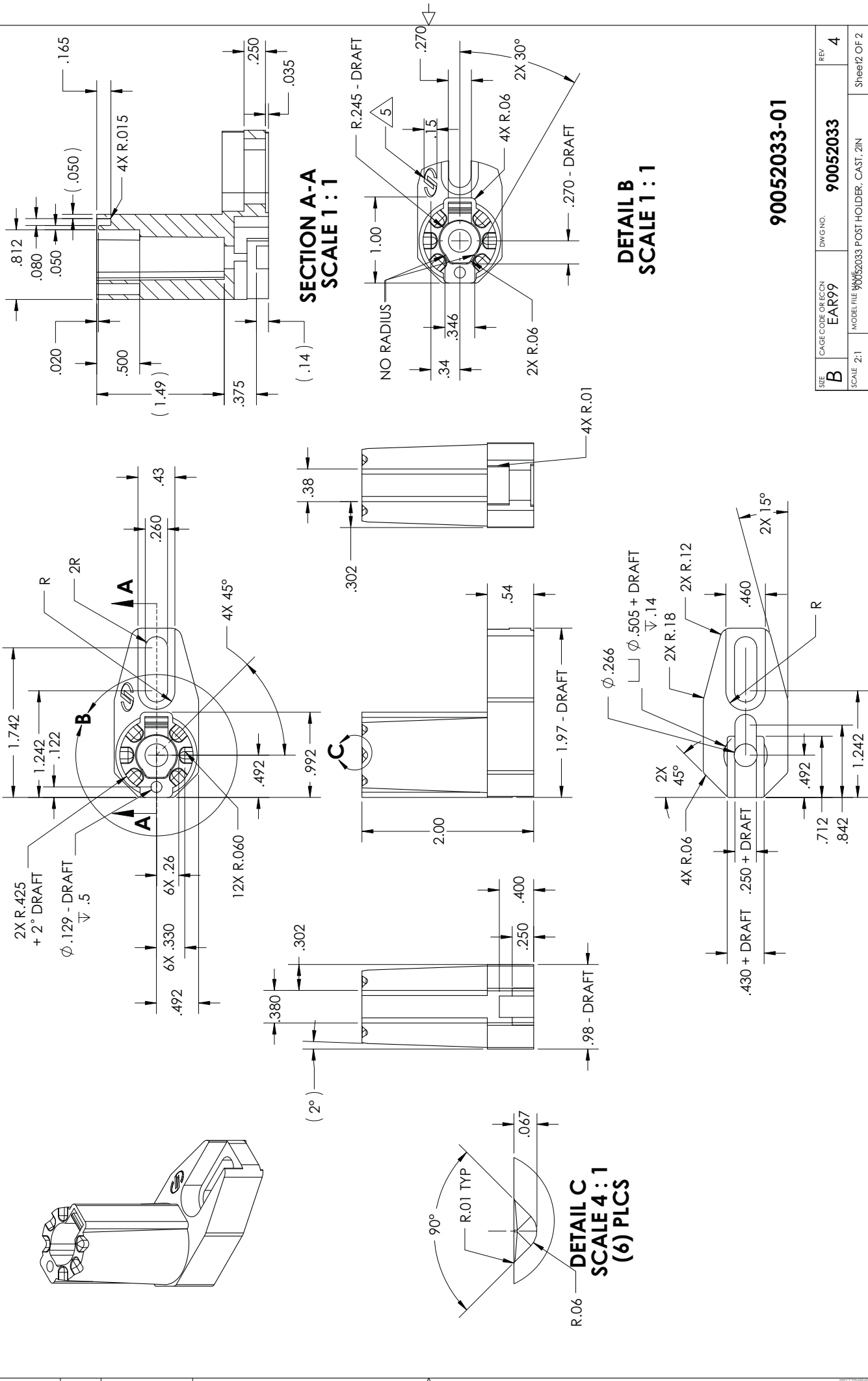
SCALE 2:1

MODEL FILE NAME: 90052033 POST HOLDER, C.AST, 2IN

DWG NO. 90052033

REV 4

SHEET 1 OF 2



90052033-01

REV	4
DWG NO.	90052033
CAGE CODE OR ECN	EAR99
SCALE	2:1
MODEL FILE	90052033 POST HOLDER, CAST, 2IN
SHEET	2 OF 2