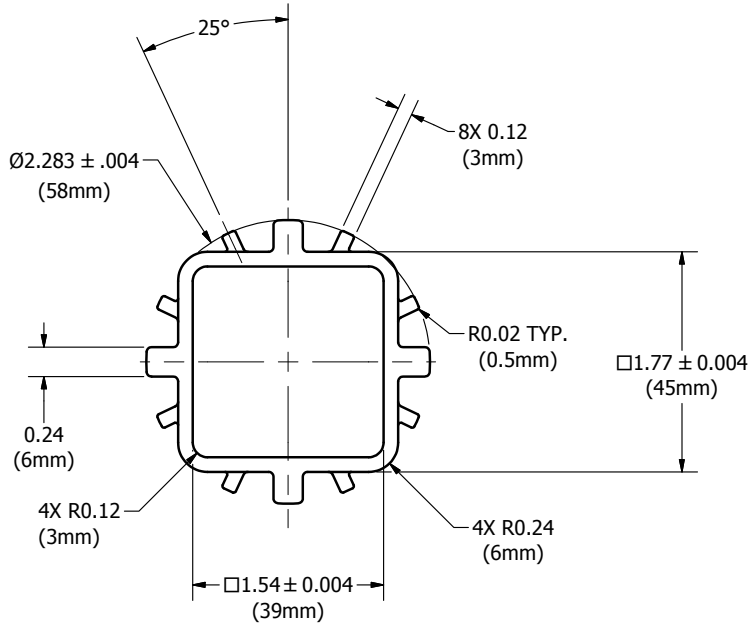
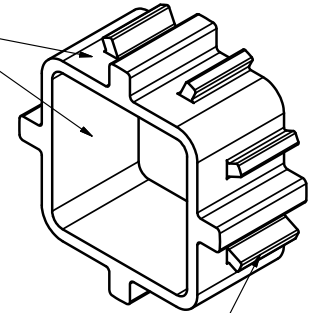


NOTES:

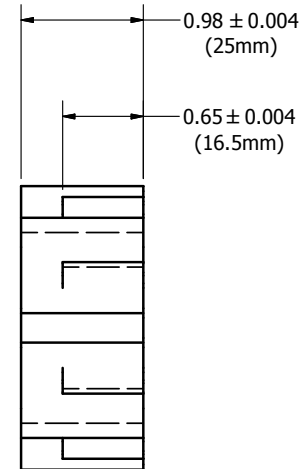
- 1 MATERIAL -- A380 ALUMINUM OR EQUIV.
- 2 PART TO BE FREE OF OIL, DIRT OR OTHER SURFACE CONTAMINATION
- 3 DEBURR ALL EDGES



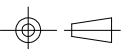
DRAFT ANGLE <1°



OUTER FEATURES
MATE WITH #ED16692



**PRELIMINARY PRINT
FOR PLANNING AND QUOTING ONLY**

REV	DESCRIPTION	DATE	CKD	UNLESS OTHERWISE SPECIFIED:	DRAWN MCR	DATE 8/30/13	TITLE
				DECIMALS XX ± .010 XXX ± .005	CHECKED XXX	DATE XX/XX/XX	HS 644-0004 Mech_OuterSquare
				CONCENTRICITY T.I.R. .005	APPROVED XXX	DATE XX/XX/XX	
				ANGLES ± 1'	SCALE 1:1	WT.	
				MACH SURFACES DIMENSIONS IN () ARE REFERENCE DIMS., NO TOLERANCES ARE IMPLIED	 THIRD ANGLE PROJECTION BREAK ALL SHARP CORNERS REMOVE ALL BURRS ALL DIMENSIONS ARE IN INCHES ANSI Y14.5M STANDARDS APPLY		UPC NUMBER/DRAWING NO. ED16691
							SHEET 1 OF 1