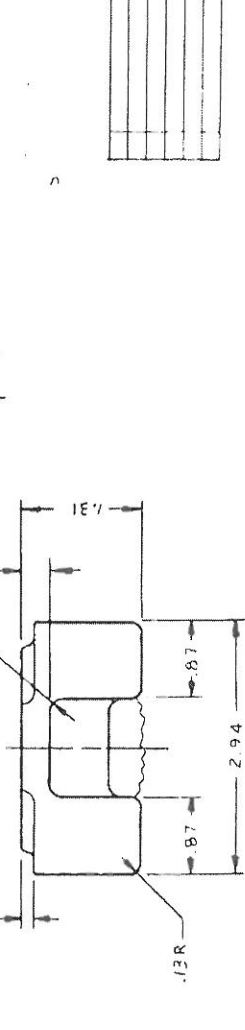
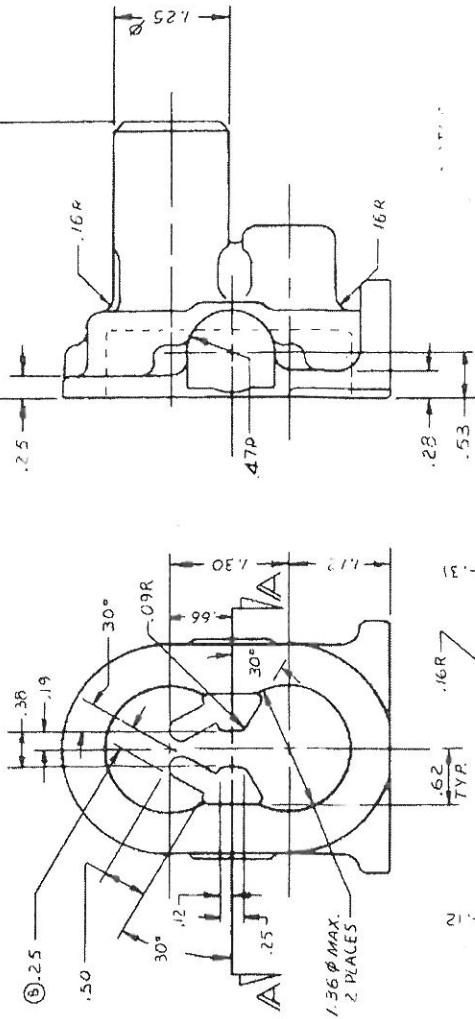
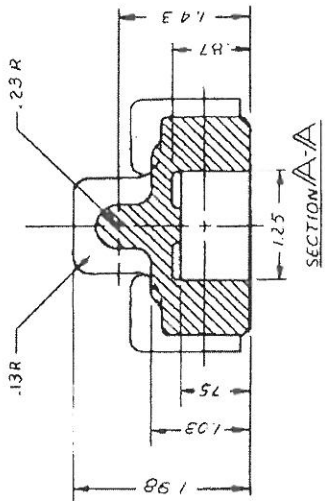
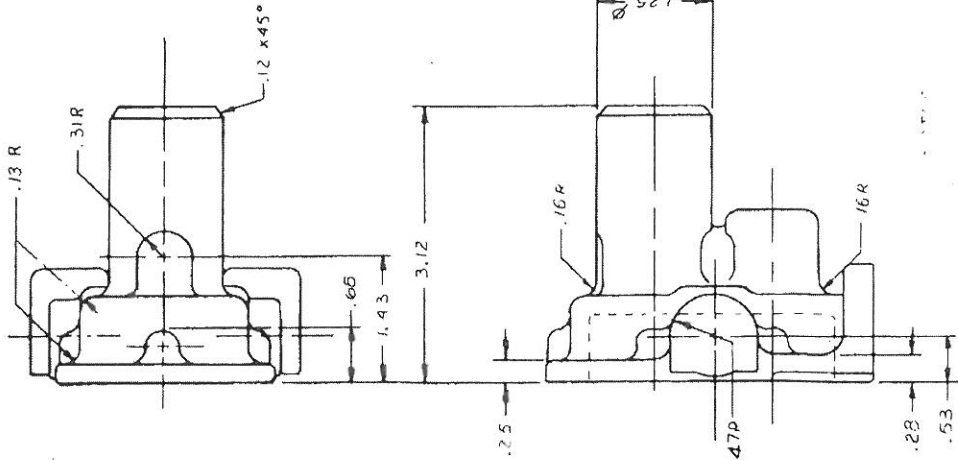


MATERIAL: Aluminum  
PLEASE QUOTE IN

A360A360A360A360A360

CASTING TO BE WATER TIGHT  
TO ISO PSI



PROJ. 160

DATE	CHECKER	DATE	ISS' NO
6/2/58	A/B	7/4/58	
K.B.			

SHERWOOD  
A DIVISION OF HYPO CORPORATION  
431 E. JEFFERSON AVE. - DETROIT, MICHIGAN 48207

GEAR PUMP BODY

EX 7899-112-RC

UNLESS OTHERWISE SPECIFIED

FINISH	12
FILE (S & H)	06
MACHINING TOLERANCE	.015
APPROVAL	
SURFACE FINISH	
ANGLES	1° 30'
CORNER BREAKS	0.1 MAX
PLATE	0.01
SQUAREDNESS	0.01
CONCENTRICITY	0.01
ROUNDNESS	0.005
ROUNDOUT	0.01