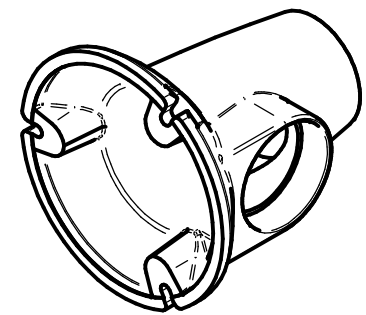
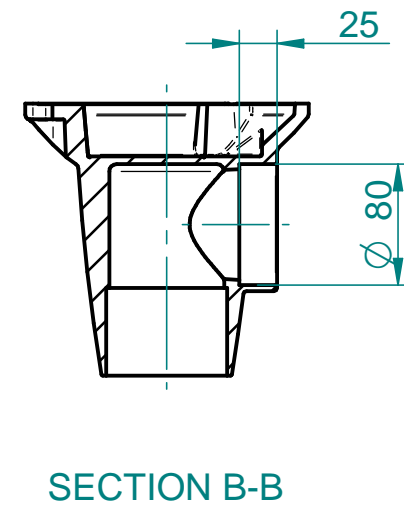
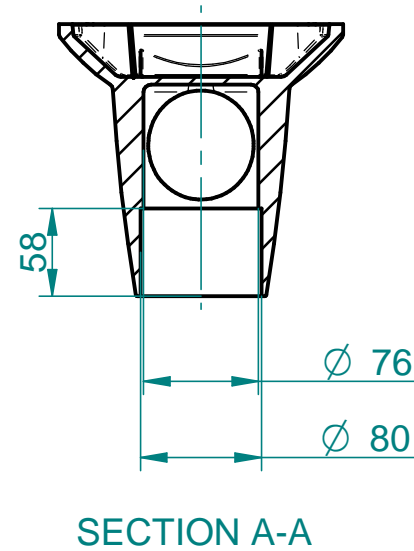
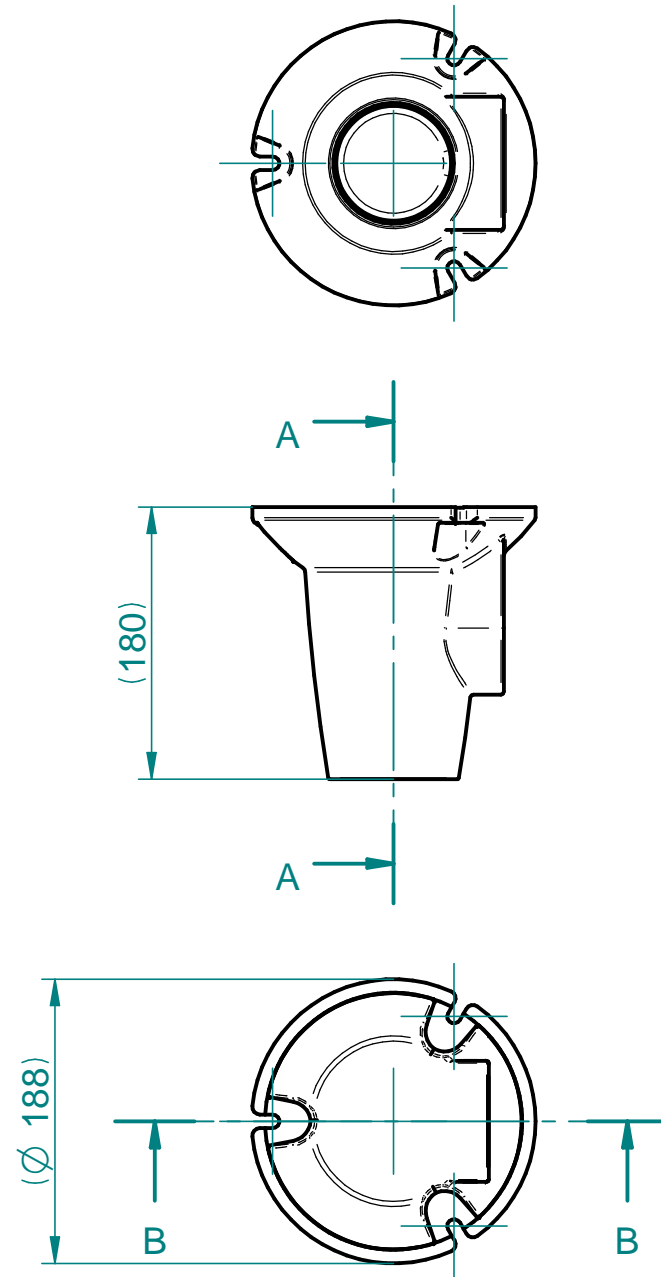


Denna handling får ej utan vårt medg-
 vande kopieras. Den får ej heller öfver-
 vras annan eller eljest obehörigen an-
 vändas. Överträdelse härav beivras
 med stöd av gällande lag.

http://ncad/solidedge/Low_vac/Projects/waldner BT/takfäste gjuten d75_v3_150130.dft

This document must not be copied
 without our written permission, and the
 contents thereof must not be imparted
 to a third party nor be used for any
 unauthorized purpose. Contravention
 will be prosecuted.

Revision Note	Status Available
	Date of approval
	Approved by



Release angles not allowed
 on stated dimensions.

不可在规定的尺寸基础上释放尺寸

Volume: 790841,5 mm³

Approx. weight: 2144,8 g 重量 : 2144.8g

Material: ~~Aluminum, 3004~~ AISi7Mg0,3 EN42100 or similar 材料：铝合金 牌号：
AISi7Mg0.3，标准：
EN42100或相似

General tolerance:

Surface treatment:

Remarks: For none dimensioned geometry refer to the 3D model
详细尺寸请见3D图

View 	Author magpe	Created 2015-02-19	Scale	Sheet 1(1)
	Title takfäste gjuten d100 ceiling connection BT d100	Draw.no	Normal	Draw.rev 0
				Model.rev 0